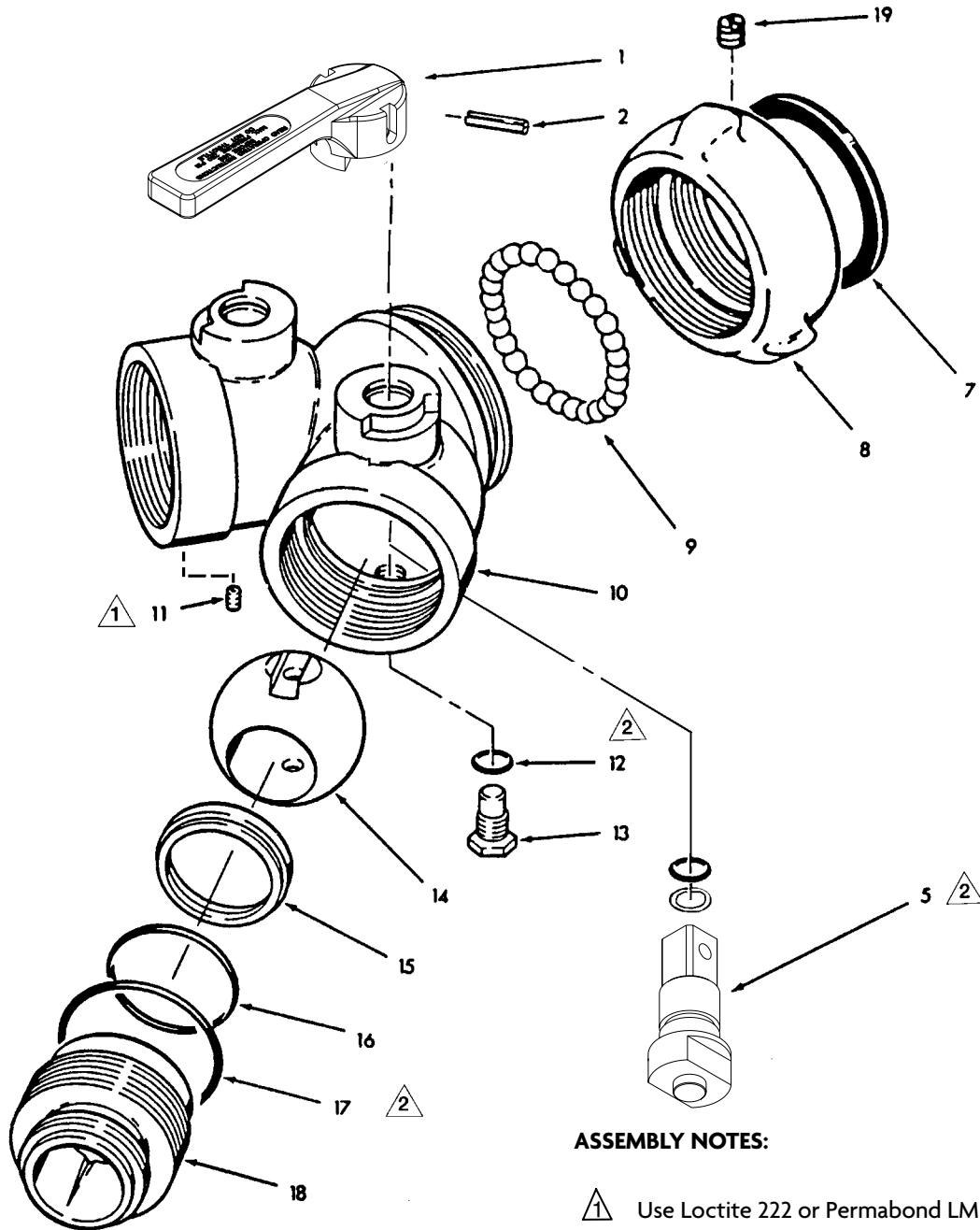


OPERATING INSTRUCTIONS

- Maximum operating pressure 250 PSI
- Open and close slowly



ASSEMBLY NOTES:

- △ 1 Use Loctite 222 or Permabond LM 113
- △ 2 Use Parker O-Ring lubricant or equivalent petroleum base lubricant



STYLE 2580 & 2581 Pyrolite® Wyes
STYLE 2681 Brass Wye
TECHNICAL SERVICE PARTS LIST

ITEM NO.	DESCRIPTION	PART NUMBER	QUANTITY		
			2580	2581	2681
1	Handle	721317	2	2	2
1A	Handle Cast	119307			2
2	Roll Pin	744060	2	2	2
3	Swivel Plug	742023	1	1	1
4	Thrust Ring	756120	2	2	2
5††	Trunnion	117607	2	2	
5††	Trunnion	773323			2
6*	O-Ring	757174	2	2	2
7*	Swivel Gasket - 1 1/2"	717042	1		
7*	Swivel Gasket - 2 1/2"	717043		1	1
8**	Swivel - 1 1/2" (NH)†	115424	1		
8**	Swivel - 2 1/2" (NH)†	101420		1	
8**	Swivel - 2 1/2" (NH)†	101297			1
9**	Ball Bearings	‡	25	38	38
10**	Body	117610	1		
10**	Body	117608		1	
10**	Body	117612			1
11	Set Screw	765002	2	2	2
12*	O-Ring	757180	2	2	2
13	Threaded Trunnion	102094	2	2	
13	Threaded Trunnion	773278			2
14*	Ball	703151	2	2	2
14A	Ball Stainless	119797			2
15*	Seat	769243	2	2	2
16*	O-Ring	757197	2	2	2
17*	O-Ring	757021	2	2	2
18	Male Adapter - 1" (NH)†	115177	2		
18	Male Adapter - 1 1/2" (NH) †	104194	2	2	
18	Male Adapter - 1 1/2" (NH) †	103817			2
18	Male Adapter - 1 1/2" (NPSH) †	104195	2	2	
18	Male Adapter - 1 1/2" (NPSH) †	103818			2

*Parts included in Field Service Kit No. 9153.

**If the swivel is attached by a piston ring, the unit must be returned to the factory to change the body or swivel.

†For other threads order by description and thread size (ODM and TPI) or by Akron Thread Code.

‡Packet of 50 Ball Bearings – P/N 109041.

††On units manufactured prior to October 2000 the Trunnion (Item 5) is removed through the top of the body (Item 10).

If this part of the Wye is being repaired, the unit should be returned to the factory.



Tested...Proven...Trusted.

ISO 9001 REGISTERED COMPANY

PHONE: 330.264.5678 or 800.228.1161 | FAX: 330.264.2944 or 800.531.7335 | akronbrass.com

REVISED: 8/11

WARRANTY AND DISCLAIMER: We warrant Akron Brass products for a period of five (5) years after purchase against defects in materials or workmanship. Akron Brass will repair or replace product which fails to satisfy this warranty. Repair or replacement shall be at the discretion of Akron Brass. Products must be promptly returned to Akron Brass for warranty service.

We will not be responsible for: wear and tear; any improper installation, use, maintenance or storage; negligence of the owner or user; repair or modification after delivery; damage; failure to follow our instructions or recommendations; or anything else beyond our control. WE MAKE NO WARRANTIES, EXPRESS OR IMPLIED, OTHER THAN THOSE INCLUDED IN THIS WARRANTY STATEMENT, AND WE DISCLAIM ANY IMPLIED WARRANTY OF MERCHANTABILITY OR FITNESS FOR ANY PARTICULAR PURPOSE. Further, we will not be responsible for any consequential, incidental or indirect damages (including, but not limited to, any loss of profits) from any cause whatsoever. No person has authority to change this warranty.

© Akron Brass Company. 2011 All rights reserved. No portion of this can be reproduced without the express written consent of Akron Brass Company.